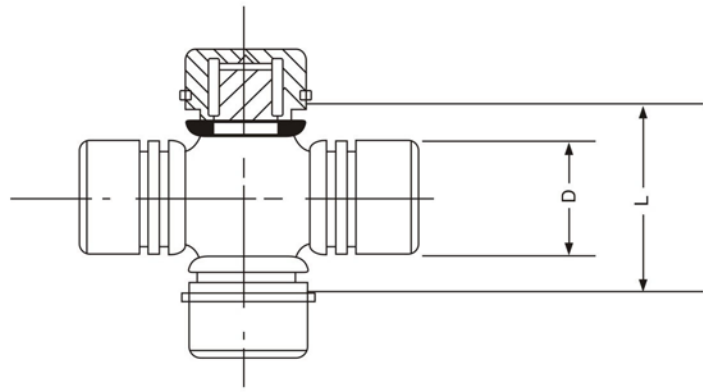
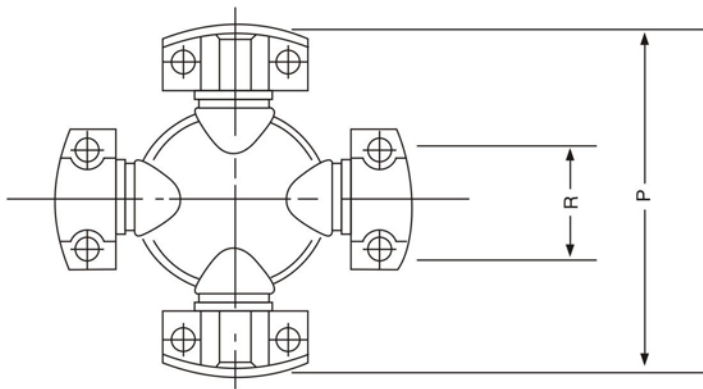
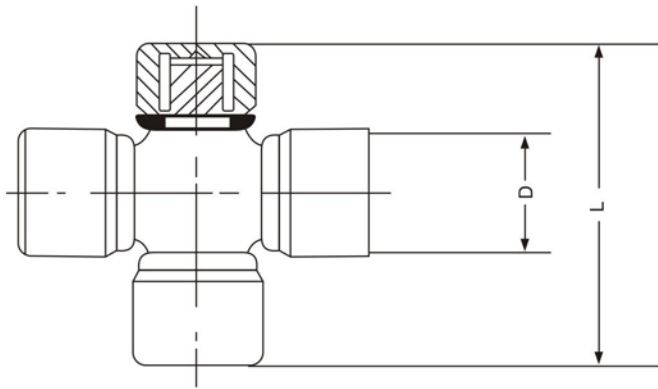


# UNIVERSAL JOINT KITS

MEASURING SYSTEM FOR UNIVERSAL JOINT KITS



D=  $\phi$  Bearing diameter  
 O=Inside snapping  
 L=Outside snapping



P=Centering  
 R=Bolt Pitch

## CHART OF UNIVERSAL JOINT TYPES



Fig A

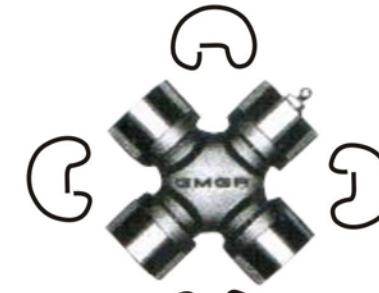


Fig B



Fig C

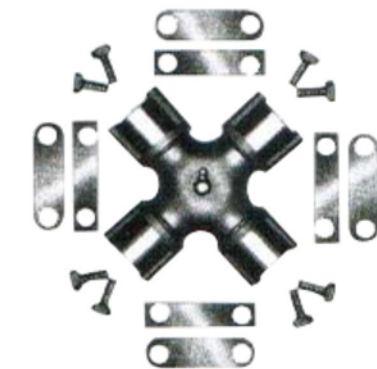


Fig D

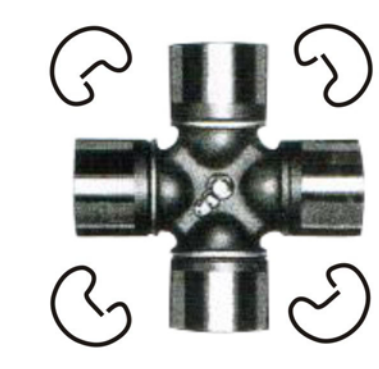


Fig E

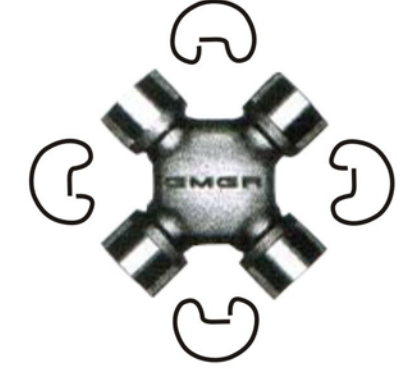


Fig F

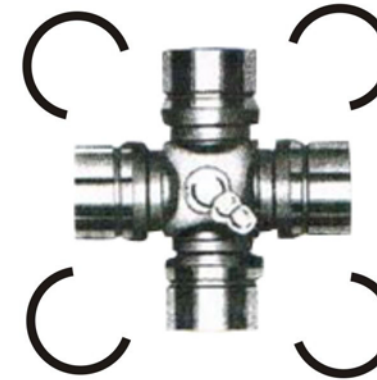


Fig G

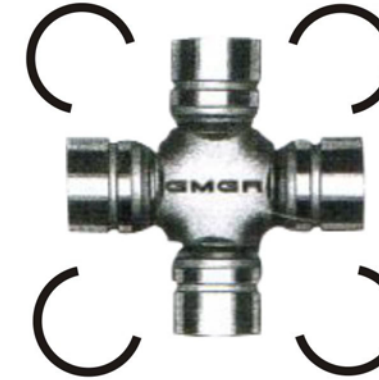


Fig H

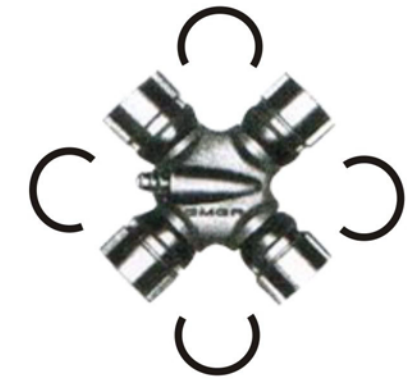


Fig I

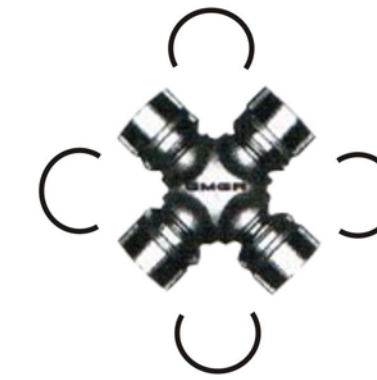


Fig J



Fig K



Fig L



## IDENTIFICATION AND WEIGHT LISTING

### HONDA

NO.	FIG	ORIGINAL NO.	GMB NO.	KOYO NO.	MATSUBA NO.	D m/m	O m/m	L m/m	N.WEIGHT	G.WEIGHT
GRHO-2	B	40150-567-003	GUHO2	HD2564LS	UJ881	25.00		64.00	280	345
GRHO-3	I	44330-538-004	GUHO3	HD2265	UJ810	22.00		65.00	240	305

### DAIHATSU

NO.	FIG	ORIGINAL NO.	GMB NO.	KOYO NO.	MATSUBA NO.	D m/m	O m/m	L m/m	N.WEIGHT	G.WEIGHT
GRD-81	F	4141-4120	GUD81		UJ218	20.02		54.60	180	250
GRD-82	A	4610-4120	GUD82	D2880	UJ220 UJ225	28.00		80.00	510	580
GRD-83	B	4123-4120	GUD83		UJ219	25.00		63.80	275	340
GRD-84	E	04371-87301	GUD84	D2880A		28.01		80.00	500	590
GRD-85	C	04371-87302	GUD85	D2992		28.57	60.10		610	720
GRD-86	B	04371-87501	GUD86			20.02		54.60	180	250
GRD-87	E	04371-87303	GUD87			28.01		80.00	500	590
GRD-88	J	04371-87503	GUD88			22.50	34.90		240	280
GRD-89	G	04371-87304	GUD89			30.00	55.10		590	630
GRD-90		04371-37011	GUD90			35.00		99.00		

### SUZUKI

NO.	FIG	ORIGINAL NO.	GMB NO.	KOYO NO.	MATSUBA NO.	D m/m	O m/m	L m/m	N.WEIGHT	G.WEIGHT
GRS-1	G	27200-58833	GUS1	SZ2564TR	UJ700/710	25.00	38.80		275	340
GRS-2	J	27100-67000	GUS2			20.01	35.0		180	250
GRS-6	F	27200-60511	GUS6		UJ413	20.07		59.80	200	240
GRS-7	B	27200-83810/11	GUS7			25.00		63.80	275	340

### SUBARU

NO.	FIG	ORIGINAL NO.	GMB NO.	KOYO NO.	MATSUBA NO.	D m/m	O m/m	L m/m	N.WEIGHT	G.WEIGHT
GRSR-2	H	6234-00020	GUSR2	F2064	UJ150	23.00	44.60		280	350
GRSR-3	J	6232-4300	GUSR3			28.00	52.60		470	570
GRSR-4	J	6220-32000	GUSR4			25.10	40.00		300	360

### OTHERS

NO.	FIG	ORIGINAL NO.	GMB NO.	KOYO NO.	MATSUBA NO.	D m/m	O m/m	L m/m	N.WEIGHT	G.WEIGHT
GRDUMP-1	E	KAWANISHI (S)	GUDUMP1	HM2058	UJ912	20.00		57.50	180	250
GRDUMP-2	E	KAWANISHI (L)	GUDUMP2	HM2577	UJ911	25.00		77.00	300	370
GRDUMP-3	E	KONGO	GUDUMP3		UJ910	22.00		62.00	270	340

### STEERING JONT

NO.	FIG	ORIGINAL NO.	GMB NO.	KOYO NO.	MATSUBA NO.	D m/m	O m/m	L m/m	N.WEIGHT	G.WEIGHT
ST-1539	F	TTY-001				15.0		39.0	100	120
ST-1540	F					15.0		40.0	110	130
ST-1638	F	5096100				16.0		38.0	140	160
ST-1639	F	TISY-010				16.0		39.0	125	145
ST-1640	F					16.0		40.0	135	155
ST-1948	F					19.0		48.0	150	170
ST-1952	F					19.0		52.0	165	180

## IDENTIFICATION AND WEIGHT LISTING

### KOMATSU

NO.	FIG	ORIGINAL NO.	KOYO NO.	MATSUBA NO.	D m/m	O m/m	L m/m	N.WEIGHT	G.WEIGHT
GUKO-1	R	101-10-17100	BAU020027		(R) 33.32		(P) 79.22		
GUKO-2	R	101-10-17200	BAU020022		(R) 33.32		(P) 79.22		
GUKO-3		101-10-00042							
GUKO-4	R	111-10-16110			(R) 36.40		(P) 107.98		
GUKO-5	R	131-10-46110	BAU040011B		(R) 42.88		(P) 115.05		
GUKO-6	R	135-14-00030	BAM050001C		(R) 42.88		(P) 140.45		
GUKO-7		150-11-12360							
GUKO-8	R	175-20-00060	BAM085001F		(R) 71.44		(P) 165.01		
GUKO-9									
GUKO-10		141-10-00012							
GUKO-11		150-11-00097							
GUKO-12	R	111-60-11110	BAM020035		(R) 33.32		(P) 79.22		
GUKO-13	A	154-66-12100	BAM050001C		23.82		61.30	275	
GUKO-14	R	380-135764-1	BAU040011B						
GUKO-15	R	380-136142-1	BAU070011C		(R) 49.20		(P) 148.38		
GUKO-16	E	380-154073-1	UJK35106		38.91		109.4		
GUKO-17	A	380-154081-1			30.18		92.05	680	780
GUKO-18	R	380-890373-1	BAU050001C		(R) 42.88		(P) 115.05		
GUKO-19	R	381-881908-1			(R) 42.88		(P) 115.05		
GUKO-20	R	381-972625-1	BAU040011D		(R) 36.40		(P) 107.98		
GUKO-21		381-976907-1	BAU060011D						
GUKO-22	R	381-976908-1	BAU060011A		(R) 42.88		(P) 140.45		
GUKO-23	R	381-985204-1			(R) 36.40		(P) 107.98		
GUKO-24		385-10155511							
GUKO-25	R	385-10178551			(R) 36.40		(P) 107.98		
GUKO-26	R	385-10178571			(R) 42.88		(P) 145.45		
GUKO-27	R	385-10193741			(R) 49.20		(P) 148.38		
GUKO-28	R	385-10238601			(R) 42.88		(P) 145.45		
GUKO-29	J	419-20-12621			33.33		104.70		
GUKO-30	H	417-20-12620			32.00				

### TCM

NO.	FIG	ORIGINAL NO.	KOYO NO.	MATSUBA NO.	D m/m	O m/m	L m/m	N.WEIGHT	G.WEIGHT
GUTC-1	R	25073-30299			(R) 45.00		(P) 129.00		
GUTC-2	R	24023-30301			(R) 46.00		(P) 134.00		
GUTC-3	R	25073-30222			(R) 45.00		(P) 129.00		
GUTC-4	R	26113-38001			(R) 36.40		(P) 107.98		
GUTC-5	R	93984-41300			(R) 42.88		(P) 115.05		
GUTC-6	R	29003-37221			(R) 42.88		(P) 140.45		
GUTC-7	R	93984-03600			(R) 49.20		(P) 148.38		
GUTC-8	R	93950-14000			(R) 36.40		(P) 107.98		



Fig.A

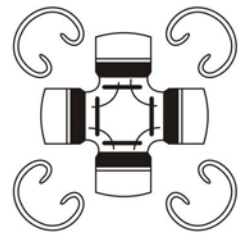


Fig.B

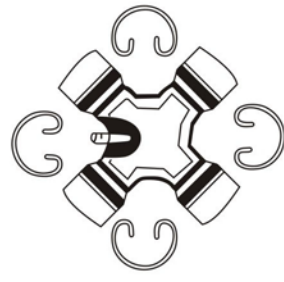


Fig.C

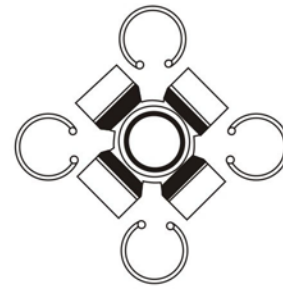


Fig.D

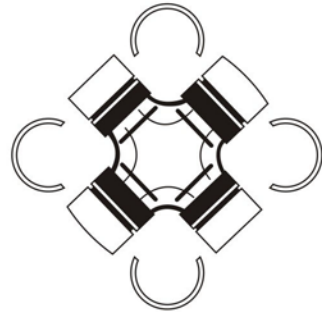


Fig.E

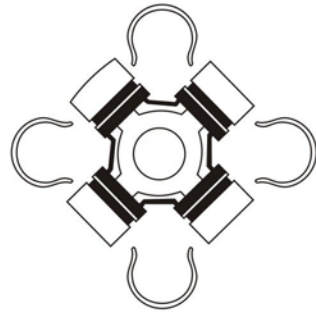


Fig.F

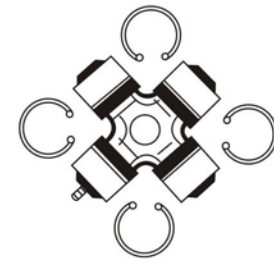


Fig.G



Fig.H



Fig.I



Fig.J

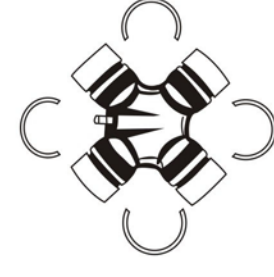


Fig.K

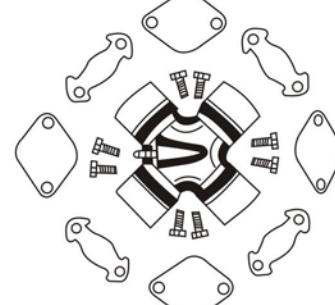


Fig.L



Fig.M



Fig.N

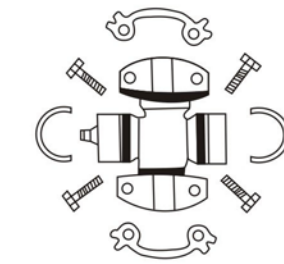


Fig.O

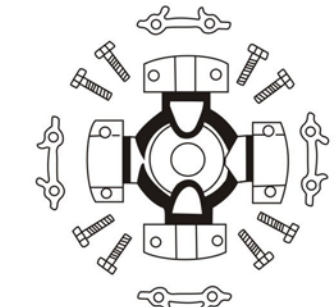


Fig.P



Fig.Q



Fig.R



Fig.S

IDENTIFICATION AND WEIGHT LISTING  
FOR U.S. & EUROPEAN VEHICLES

NO.	FIG	D m/m	L m/m	O m/m	P m/m	R m/m	N.W.	G.W.
RU-200L	B	24.00	63.30				290	340
RU-300	B	19.04	51.95				170	220
RU-350	A	19.04	51.95				170	220
RU-400	B	23.82	61.30				275	325
RU-410	B	24.00	61.30				290	340
RU-500	R	23.82	61.30				275	325
RU-510	C	23.82	61.30				285	340
RU-600	D	23.82	61.30				260	310
RU-700	I	26.99	61.30				285	340
RU-720	A	25.00	56.90				267	320
RU-730	A	25.00	56.90				267	320
RU-750	B	25.03	60.00				270	320
RU-800	I	26.99	61.85				300	335
RU-1000	C	26.99	81.75				480	530
RU-1000L	B	26.99	82.75				490	540
RU-1020	E	26.99		52.59			510	565
RU-1100	C	26.99	74.60				425	480
RU-1100L	B	26.99	74.60				445	500
RU-1200	F	26.97	74.61				375	430
RU-1600	G	23.00	58.20				265	315
RU-1650	G	22.03	58.80				230	280
RU-1660	G	22.03	58.80				230	280
RU-1670	S	24.06	62.40				320	375
RU-1700	A	22.00	55.60				330	280
RU-1710	H	24.00		40.00			280	330
RU-1720	K	28.00		44.00			440	490
RU-1730	A	23.80	62.40				330	385
RU-1740	E	31.02		44.10			600	660
RU-1760	S	22.00	67.10					
RU-1770	S	22.00	63.50				450	505
RU-1780	S	27.00	80.00				420	475
RU-2000	C	30.18	106.30				820	920
RU-2000L	B	30.18	106.30				850	950
RU-2010	C	32.00	106.30				895	1,000
RU-2050	C	30.18	106.30				820	920
RU-2050L	B	30.18	106.30				850	950
RU-2100	A	22.21	62.10				270	320
RU-2200	C	30.18	92.05				680	780
RU-2200L	B	30.18	92.05				870	830
RU-2300	C	34.92	106.30				1,200	1,320
RU-2500	J	31.25		46.05			580	680
RU-2560	K	30.00		57.00			680	780
RU-2600	K	31.25		71.40			890	990
RU-2700	L	39.68	115.85	71.40			890	990
RU-3000	L	39.69	115.95				1,815	2,114
RU-3500	C	39.69	115.95				1,580	1,810
RU-3800	L	44.04	126.00				2,240	2,840
RU-3810	M	50.00	152.60				3,700	4,200
RU-3840	N	44.00	149.00				2,240	2,640
RU-3850	N	39.00	127.00				1,560	2,160
RU-3860	N	50.00	164.00				3,060	3,660
RU-3870	C	44.00	149.00				2,240	2,640
RU-3880	C	50.00	164.00				3,060	3,660
RU-4000	L	47.62	134.00				2,890	3,488
RU-4010	L	49.00	135.00				2,300	2,900
RU-5000	L	49.20	154.74				3,490	4,088
RU-5010	L	49.00	154.96				3,050	3,648
RU-5910	O	25.40		38.83	72.52	33.34		
RU-5920	P	25.40		38.83				
RU-5950	P	25.40		38.83			340	390
RU-5960	O	25.40		38.83	65.05	33.34	440	490
RU-5970	O	25.40		38.83	72.52	33.34	610	660

**IDENTIFICATION AND WEIGHT LISTING  
FOR U.S. & EUROPEAN VEHICLES**

NO.	FIG	D m/m	L m/m	O m/m	P m/m	R m/m	N.W.	G.W.
RU-6500	Q				115.09	42.86	1,370	1,958
RU-6530	Q				115.09	42.86		
RU-6600	Q				140.49	42.86	2,070	2,668
RU-6700	Q				148.36	49.20	2,690	3,288
RU-6710	Q				148.40	49.20		
RU-6740	Q				148.40	49.20		
RU-6750	Q				148.40	49.20		
RU-6870	P	34.00		49.00				
RU-7000	J	28.00		42.00			435	485
RU-7010	H	24.00		34.34			310	360
RU-7020	E	29.00		51.90			510	550
RU-7030	F	28.55		61.98				
RU-7050	M	29.00	76.00				500	540
RU-7060	Q	29.00	75.40				500	540
RU-7070	M	29.00	83.00					
RU-7080	Q	29.00	82.40					
RU-7100	O	25.40		38.83	65.05	33.00	510	550
RU-7100S	O	25.40		38.83	65.05	33.00	510	550
RU-7150	P	25.40		38.83			370	410
RU-7150S	P	25.40		38.83				
RU-7190	F	25.40		52.50			370	410
RU-7200	J	34.00		51.10				
RU-7240	P	26.50		43.00			875	975
RU-7270	P	30.00		43.00				
RU-7280	K	28.00		49.00				
RU-7280/1	K	28.00		50.00			520	552
RU-7280/2	K	28.00		49.00			520	552
RU-7280/3	F	28.00		49.00				
RU-7280/4	S	24.06	74.50				495	504
RU-7290	F	29.52		51.60			420	460
RU-7300	J	38.00		56.00			520	560
RU-7390	A	50.00	153.80				1,070	1,270
RU-7410	A	26.00	69.80				3,250	3,575
RU-7420	A	30.00	81.70				340	380
RU-7430	A	35.00	96.80				500	540
RU-7440	A	38.00	106.10				1,000	1,200
RU-7460	J	44.00	124.82				1,130	1,190
RU-7470	A	42.00		66.00			2,000	1,810
RU-7480	J	38.00	106.70				1,700	
RU-7490	A	45.04	118.10					2,400
RU-7520	A	38.00	110.00				2,000	
RU-7530	A	45.04	120.40					2,400
RU-7540	A	45.04	121.60				2,000	2,450
RU-7560	A	52.05	133.00				2,050	3,800
RU-7590	A	52.00	133.00				3,500	4,050
RU-7610	A	53.00	135.00				3,650	4,100
RU-7620	A	48.00	126.00				3,700	
RU-7630	A	57.00	152.00					4,300
RU-7640	A	38.00	112.00				3,900	
RU-7650	A	48.00	126.00					
RU-7800	A	22.00	29.00					
RU-7900	J	26.01		45.20			245	295
RU-8100	A	47.00	131.10				370	420
RU-8110	A	50.00	131.00				3,800	4,200
RU-8120	A	55.00	164.00				4,100	4,400
RU-8130	A	57.00	144.00					
RU-9010	A	19.00	45.00				3,800	4,200
RU-9020	A	17.00	42.00				200	250
RU-9030	A	28.00	70.80					
RU-9040	A	48.00	134.00					
RU-9050	I	28.00	70.80					

**FOR U.S AND EUROPEAN VEHICLES  
IDENTIFICATION AND WEIGHT LISTING**

NO.	D m/m	O m/m	L m/m	R m/m	P m/m
GR-1X	23.82		61.3		
GR-2X	26.99		74.60		
GR-4X	27.01		74.60		
GR-6X	26.99		81.76		
GR-7X	30.18		92.08		
GR-10X	30.18		106.36		
GR-14X	23.82		61.30		
GR-30X	39.69		115.85		
GR-54X	71.43		223.04		
GR-74X	26.99	5.57			
GR-88X	34.93	76.20			
GR-92X	24.61	33.51			
GR-100X	25.40	39.50			
GR-101X	23.82		61.30		
GR-102X	26.99		74.60		
GR-103X	23.83	35.00			
GR-105X	25.40	39.50			
GR-111X	23.82		61.30		
GR-113X	27.00		81.76		
GR-115X	39.69		115.85		
GR-121X	27.00		81.76		
GR-124X	59.10		167.49		
GR-129X	28.60		66.50		
GR-130X	26.99		92.08		
GR-134X	27.00		( 1 ) 92.07 ( 1 ) 81.75		
GR-150X	( 1 ) 26.99 ( 2 ) 28.58	( 2 ) 65.10	( 1 ) 81.76		
GR-153X	27.00		81.76		
GR-155X	34.93		126.21		
GR-160X	30.18		106.36		
GR-165X	41.24		142.00		
GR-170X	23.82	35.10			
GR-174X	26.99	52.27			
GR-177X	49.22		154.74		
GR-178X	30.18		92.08		
GR-185X	55.55		205.59		
GR-186X	43.88		205.59	71.44	209.55
GR-188X	34.93		106.36		
GR-200X	26.99		81.75		
GR-212X	( 1 ) 27.02 ( 2 ) 28.60	( 1 ) 60.20	( 2 ) 92.08		
GR-213X	26.99		92.08		
GR-220X	34.93		126.21	42.85	114.3
GR-221X	34.92		140.40	42.80	126.00
GR-242X	27.00	42.43			
GR-243X	31.75		81.53		
GR-248X	( 1 ) 25.40 ( 2 ) 26.99	( 1 ) 40.66	( 2 ) 61.92		
GR-251X	26.99		81.76		
GR-252X	26.99				
GR-260X	26.99	52.57			
GR-263X	34.93		106.36		

**FOR U.S AND EUROPEAN VEHICLES  
IDENTIFICATION AND WEIGHT LISTING**

NO.	D m/m	O m/m	L m/m	R m/m	P m/m
GR-264X	22.20		73.60		
GR-273X	27.00	62.09			
GR-275X	34.93		126.21		
GR-279X	47.62		134.90		
GR-280X	49.22		154.74		
GR-281X	49.22		191.69		
GR-297X	30.18	52.27			
GR-303X	34.92		140.40	42.80	126.10
GR-308X	55.50		206.00		
GR-310X	26.99		81.76		
GR-315X	26.99		81.76		
GR-324X	49.22		209.55	71.45	191.69
GR-326X	55.55		209.55	71.45	205.59
GR-330X	41.20		142.00	49.20	148.20
GR-345X	30.18		107.97	36.50	106.29
GR-350X	27.00	56.53			
GR-353X	( 1 ) 27.00 ( 2 ) 27.40	50.98	81.76		
GR-407X	49.21		177.80		
GR-430X	24.61	( 1 ) 38.10 ( 2 ) 36.65			
GR-431X	33.30		67.48		
GR-438X	47.62		( 1 ) 135.00 ( 2 ) 135.00		
GR-443X	26.99		61.95		
GR-450X	( 1 ) 27.01 ( 2 ) 30.20	( 1 ) 52.50	( 2 ) 81.78		
GR-456X	27.00	38.67			
GR-460X	( 1 ) 27.00 ( 2 ) 30.20		( 1 ) 81.76 ( 2 ) 92.08		
GR-469X	49.20		( 1 ) 179.98 ( 2 ) 177.98		
GR-470X	49.20		178.00		
GR-510X	49.20		( 1 ) 191.69 ( 2 ) 194.00		
GR-515X	49.20		( 1 ) 157.10 ( 2 ) 157.10		
GR-521X	27.00	62.09			
GR-544X	( 1 ) 28.60 ( 2 ) 27.00	( 2 ) 60.00	( 1 ) 81.40		
GR-674X	47.62		( 1 ) 135.00 ( 2 ) 135.00		
GR-675X	49.20		( 1 ) 154.70 ( 2 ) 157.10		
GR-676X	49.20		( 1 ) 191.68 ( 2 ) 194.00		
GR-677X	49.20		( 1 ) 177.98 ( 2 ) 179.98		
GR-810X	49.20		( 1 ) 191.69 ( 2 ) 194.00		
GR-1200X	27.00	57.33			
GR-1201X	( 1 ) 26.99 ( 2 ) 28.58		81.76		
GR-1203X	26.99	67.55	92.08		
GR-1204X	( 1 ) 26.99 ( 2 ) 28.58		92.08		
GR-1205X	30.18	62.09	65.10		
GR-1206X	30.18	76.38			
GR-1300X	31.26	46.05			
GR-1301X	31.26	71.20			
GR-1306X	27.39	50.98			
GR-1306XS	27.39	50.98			
GR-1307X	31.27	50.80			
GR-1309X	28.58	63.68			

**FOR U.S AND EUROPEAN VEHICLES  
IDENTIFICATION AND WEIGHT LISTING**

NO.	D m/m	O m/m	L m/m	R m/m	P m/m
GR-1312X	( 1 ) 、 ( 2 ) 28.58	62.09	92.08		
GR-1500X	20.02	35.00			
GR-1501X	25.02	40.00			
GR-1502X	26.01	42.00			
GR-1503X	25.00		63.80		
GR-1504X	25.00	40.00			
GR-1505X	28.00	53.10			
GR-1506X	38.02	56.23			
GR-1507X	28.00	53.10			
GR-1508X	26.00	53.60			
GR-1509X	28.50	77.90			
GR-1510X	29.00	49.00			
GR-1511X	32.00	61.00			
GR-1513X	26.50	48.00			
GR-1514X	22.50	35.20			
GR-1515X	29.00	49.00			
GR-1516X	25.00		77.00		
GR-2002X				33.34	79.00
GR-2011X	25.40	55.55			79.22
GR-2031X	25.40		79.22	33.34	54.50
GR-2033X	25.40		79.00	33.34	79.00
GR-2116X				33.34	
GR-2173X	( 1 ) 28.60 ( 2 ) 25.40	( 2 ) 59.53	( 1 ) 81.75		
GR-2530X	( 1 ) 28.71 ( 2 ) 27.18	53.98	81.76		
GR-2532X	28.57	53.97	( 1 ) 92.07 ( 1 ) 81.75		
GR-3000X				36.50	90.40
GR-3011X	28.60	59.90			
GR-3014X				36.50	90.40
GR-3022X	( 1 ) 27.00 ( 2 ) 28.60	60.20	81.78		
GR-3147X	28.60	62.08			
GR-4002X				36.50	108.00
GR-4016X	28.50		108.00	36.50	77.90
GR-4105X	28.60	77.60	109.60		
GR-4123X				36.50	108.00
GR-4140X				36.50	108.00
GR-4143X				36.50	108.00
GR-5000X				42.88	115.06
GR-5008X				33.33	79.31
GR-5121X				42.88	115.06
GR-5154X				33.35	114.96
GR-5173X				42.88	115.06
GR-5177X				42.88	115.06
GR-5802X				49.20	134.45
GR-6000X				42.88	140.45
GR-6102X				42.88	140.45
GR-6106X				42.70	140.20
GR-6108X			( P1 ) 140.45	( R2 ) 49.22	( P2 ) 148.38
GR-6109X			( P1 ) 140.45	( R2 ) 49.22	( P2 ) 148.38
GR-7000X				49.22	148.40

**FOR U.S AND EUROPEAN VEHICLES  
IDENTIFICATION AND WEIGHT LISTING**

NO.	D m/m	O m/m	L m/m	R m/m	P m/m
GR-7006X				41.29	104.77
GR-7150X				49.20	148.40
GR-7202X				49.20	148.40
GR-7260X				49.20	148.40
GR-8105X				49.20	206.40
GR-8200X				49.20	206.31
GR-8201X				49.20	206.31
GR-8203X				49.20	206.31
GR-8500X				71.60	165.00
GR-8516X				71.80	165.00
GR-9001X				71.44	209.62
GR-9002X				71.44	209.51
GR-9016X				71.44	209.62
GR-12062X	48.05		161.00		
GR-12100X	45.00		120.40		
GR-12213X	38.00	56.23			
GR-12219X	48.05		125.80		
GR-12276X	44.10		149.00		
GR-12278X	50.00		164.00		
GR-12924X	52.00		133.00		
GR-12932X	57.00		152.00		
GR-13400X	23.82		61.29		
GUK-12	27.00		80.00		

**FOR U.S. AND EUROPEAN VEHICLES  
CONVERSION LISTING**

NO.	PRECISION	SPICER	AEC	GMB	ALLOY	LOBRO
GR-1X	340	5-1X	501	GU-400	1027	U-40
GR-2X	344	5-2X	502	GU-500	1021	U-50
GR-4X	344	5-4X	504	GU-1100	1021	U-110
GR-6X	369	5-6X	521	GU-1000		U-100
GR-7X	331	5-7X	578	GU-2200	41078	U-220
GR-10X	330	5-10X	560	GU-2050	1750	U-205
GR-14X	341	5-14X	514/511	GU-500	1023	U-50
GR-30X	332	5-30X	515	GU-3000		U-300
GR-54X		5-54X				
GR-74X	356	5-74X	574	GU-1020	1024/1025	U-102
GR-88X		5-88X				
GR-92X	861/982	5-92X	6N8	G5-1004X	1777	
GR-100X	514	5-100X	507	GU-5950	1056	U-595
GR-101X	340	5-101X	501	GU-400	1027	U-400
GR-102X	344	5-102X	502	GU-1100	1021	U-110
GR-103X	338	5-103X	570/503	G5-103X	1070	
GR-105X	514G	5-105X	1750G/505		1061	
GR-106X	330	5-106X	330	GU-2050	1750	U-200
GR-111X	341	5-111X	514/511	GU-500	1023	U-50
GR-113X	369	5-113X	521HD	G5-113X	1004	
GR-115X	332	5-115X	515	GU-3000	1757	U-300
GR-118X	351	5-118X	351	GU-2300	1756	U-230

**FOR U.S. AND EUROPEAN VEHICLES  
CONVERSION LISTING**

NO.	PRECISION	SPICER	AEC	GMB	ALLOY	LOBRO
GR-121X	329	5-121X	521	G5-121X	1001	
GR-124X	335	5-124X	524		1804	
GR-129X	880	5-129X	14N		1780	
GR-130X	354	5-130X	530	G5-130X	1040	
GR-134X	353	5-134X	534	G5-134X	1034/41034	
GR-150X	350G	5-150X	550			
GR-153X	369	5-153X	521HD	GU-1000L	1004	U-100
GR-155X	358	5-155X	555	GU-3838	1805	U-383
GR-160X	330	5-160X	560	GU-2050	1750	U200
GR-165X	359	5-165X	565	G5-165X	1801	
GR-170X	338	5-170X	570	G5-170X	1070	
GR-174X	365	5-174X	260			
GR-177X	334	5-177X	550	GU-5000		
GR-178X	331	5-178X	578	GU-2200	1078	U-220
GR-185X	932	5-185X				
GR-186X		5-186X				
GR-188X	351	5-188X	588	GU-2300	1756	U-230
GR-200X	329/360	5-200X	521/532	GU-1000L	1005	U-100
GR-212X	355	5-212X	531	G5-212X	1042	
GR-213X	354	5-213X	530	G5-213X	1012	5-618X
GR-220X		5-220X				
GR-221X	470	5-221X				
GR-231X	355	5-231X	531		1042	
GR-242X	995	5-242X	12N		1779	
GR-243X	964	5-243X	35N		1781	
GR-243-1X	934	5-243-1X				
GR-248X	361	5-248X	248		1041	
GR-251X	369	5-153X	521HD	G5-153X	1004	
GR-252X	360	5-252X	520/200	GU-1000	1005	U-100
GR-260X	365	5-260X	260	G5-260X	1048/1025	
GR-263X	351	5-263X	588	GU-2300	1756	U-230
GR-264X		5-264X				
GR-275X	358	59-275X	555	GU-3838	1805	U-383
GR-278X	379	5-278X	278	G5-278X	1154	
GR-279X	333	5-279X	279	GU-4000	1806/1807	U-400
GR-280X	334	5-280X	280	GU-5000	1802	U-500
GR-281X	381	5-281X	281	GU-281X	1810	
GR-297X	371	5-297X	297	GU-297X	1758/41758	
GR-303X	470	5-303X				
GR-308X	388	5-308X	503		1880	
GR-310X	380	5-310X		GU-700	1741/1042	U-70
GR-315X	373	5-315X	315	GU-700	1006	U-70
GR-324X	480	5-324X				
GR-325X	358	5-325X	555	GU-3838	1805	U-383
GR-326X		5-326X	3307	GU-278X		
GR-332X	374	5-332X	332		1155	
GR-345X		5-345X				
GR-350X	366	5-350X	350		1006	
GR-353X	319	5-353X	353	G5-353X	1153	
GR-354X	447	5-354X			1715	

**FOR U.S. AND EUROPEAN VEHICLES  
CONVERSION LISTING**

NO.	PRECISION	SPICER	AEC	GMB	ALLOY	LOBRO
GR-357X	362	5-357X	357		1044	
GR-407X	376	5-407X	407		1808	
GR-430X		5-407X				
GR-431X	888	5-430X	44N		1774	
GR-438X	475	5-431X				
GR-443X	437/373	5-438X	456	GU-700	1741	U-70
GR-450X	455	5-443X			1744	
GR-456X	436	5-450X	12N		1742	
GR-460X	348	5-456X	358		1746	
GR-469X	477	5-460X				
GR-470X	376	5-469X	407		1808	
GR-510X	478	5-470X				
GR-515X	476	5-510X				
GR-521X	433	5-515X				
GR-527X	347	5-521X		G5-521X	41012	
GR-544X	372	5-357X	360		1065/41060	
GR-648X	448	5-544X	356		41699	
GR-674X	475	5-648X	402		1735	
GR-675X	476	5-674X				
GR-676X	478	5-676X				
GR-677X	477	5-677X				
GR-810X	478	5-810X				
GR-1200X	429	5-1200X	1200	G5-1200X	1010	
GR-1201X	430	5-1201X	675	G5-1201X	1011	
GR-1203X	433	5-1203X	1203	G5-1203X	1012	
GR-1204X	434	5-1204X	1204		1013	
GR-1205X	423	5-1505X	1205		1137	
GR-1206X	427	5-1206X	1206	G5-1206X	1763	
GR-1210X		5-1210X	675			
GR-1300X	305	5-1300X	1203	GU-2500		U-250
GR-1301X	304	5-1301X	373	GU-2600	1740	U-256
GR-1306X	315G	5-1306X	267	G5-1306X	1019/41103	
GR-1306X-1	318	5-1306X-1	233		1105	
GR-1306XS	317	5-1306XS		G5-1306X-1	1103	
GR-1307X	305	5-1307X	162			
GR-1309X	316	5-1309X	231	G5-1309X	1020	
GR-1312X	375	5-1312X	266			
GR-1500X	392/395	5-1500X	1604	GUN-28	1049	
GR-1501X	391	5-1501X	1603	GUN-27	1052	
GR-1502X	394	5-1502X	1605	GUT-13	1053	
GR-1503X	398	5-1503X	1601	GUMZ-1	1057	
GR-1504X	397	5-1504X	1606	GUMZ-7	1059	
GR-1505X	393	5-1505X	1602	GUN-29	1051	
GR-1506X	463	5-1506X		GU-7300		U-730
GR-1507X	384	5-1507X	1610	GUMZ-6	1029	
GR-1508X	390	5-1508X	1616	GUT-12	1058	
GR-1509X	396	5-1509X	1617	GUT-14	1060	
GR-1510X	387	5-1510X	1619	GUT-17	1017	
GR-1511X	389	5-1511X	1620	GUT-20	1018	
GR-1513X	386	5-1513X	1622	GUMZ-9	1008	

**FOR U.S. AND EUROPEAN VEHICLES  
CONVERSION LISTING**

NO.	PRECISION	SPICER	AEC	GMB	ALLOY	LOBRO
GR-1514X	385	5-1514X	1623	GUMZ-10	1022	
GR-1515X	383	5-1515X		GUIS-52	1043	
GR-1516X	399	5-1516X	1625	GUM-88	1016	
GR-2002X	951	5-2002X	2103	G5-2002X		
GR-2011X	507/515	5-2011X	2127/2112	GU-6200	1071	U-620
GR-2031X	508/516	5-2031X	2111/2127	G5-2031X		
GR-2033X	522/519	5-2033X	2114	G5-2033X		
GR-2116X	952	5-2116X	2116	G5-2116X	1063	
GR-2140X	505	5-2410X	2140	G5-2140X	1066	
GR-2173X	498	5-2173X	2173	G5-2173X	1067	
GR-2530X	491	5-2530X	2518		1079	
GR-2532X	513	5-2532X	2500		1077	
GR-2971X	377	5-2971X	297		1761	
GR-3000X	536/530	5-3000X	3118/3100	G5-3000X	1711	
GR-3009X	496	5-3009X	3188		1085	
GR-3011X	492	5-3011X	534G/3105		1014	
GR-3014X	535	5-3014X	3101			
GR-3022X	372	5-3022X	356		1699	
GR-3147X	534G	5-3147X	3105	GUD-85	1014	
GR-4002X	540	5-4002X	4110	G5-4002X	1703	
GR-4015X	545	5-4015X				
GR-4016X	546/494	5-4016X		114-4109		
GR-4123X	541	5-4123X	4101/4103		1704	
GR-4140X	929	5-4140X			J4130	
GR-4143X	969	5-4143X	4113		1689	
GR-5000X	550	5-5000X	5100	G5-5000X	1720	
GR-5008X		5-5008X		GU-6550		U-655
GR-5121X	552	5-5121X	5101	G5-5121X	1721	
GR-5154X		5-5154X				
GR-5173X	933	5-5173X	5102		1722	
GR-5177X	968	5-5177X	5108	G5-5177X	1728	
GR-5800X	894	5-5800X	56WB		1878	
GR-5801X	895	5-5801X	58WB1		1876	
GR-5802X	896	5-5802X	58WB2		1877	
GR-6000X	560	5-6000X	6100	GU-6600	1820	U-660
GR-6102X	563	5-6102X	6102	G5-6102X	1822	
GR-6106X	905	5-6106X	6108	G5-6106X	1826	
GR-6108X	568	5-6108X			1828	
GR-6109X	599	5-6109X	6109		1829	
GR-7000X	570	5-7000X	7100/7200	GUIS-60	1841	
GR-7006X		5-7006X		GU-6720		U-672
GR-7105X	927	5-7105X	7105	G5-7105X	1840	
GR-7150X	927	5-7150X	7105		1840	
GR-7202X	574	5-7202X	7102	G5-7206X	1843	
GR-7260X	572	5-7260X	7101			
GR-8105X	928	5-8105X	8105		1805	
GR-8200X	581	5-8200X		G5-8200X	1851	
GR-8201X	582	5-8201X				
GR-8203X	584	5-8203X			1854	
GR-8500X	785/963	5-8500X		G5-8500X		



**FOR U.S. AND EUROPEAN VEHICLES  
CONVERSION LISTING**

NO.	PRECISION	SPICER	AEC	GMB	ALLOY	LOBRO
GR-8516X	963	5-8516X		G5-8502X		
GR-9001X	911	5-9001X	9031		1868	
GR-9002X	729	5-9002X		G5-9017X	1865	
GR-9016X	911	5-9016X	9031		1868	
GR-12062X		5-12062X				
GR-12100X		5-12100X		GU-7530		U-753
GR-12213X	463	5-12213X		GU-7300		U-730
GR-12219X		5-12219X				U-762
GR-12276X		5-12276X				
GR-12278X		5-12278X				
GR-12924X		5-12924X		GU-7560		U-756
GR-12932X		5-12932X		GU-7630		U-763
GR-13400X	341	5-13400X	511/514			U-50

**FOR EUROPEAN VEHICLES  
IDENTIFICATION**

NO.	D m/m	O m/m	L m/m	R m/m	P m/m
GUJ-1500	22.50	37.65			
GUJ-1501	22.00	40.00			
GUJ-1700	27.00		72.00		
GUJ-1758	25.4	43.64		33.34	52.78
GUJ-1764	25.4	43.64		33.34	44.86
GUJ-1766	( 1 ) 23.80 ( 2 ) 25.40	( 2 ) 43.64	( 1 ) 61.20		
GUJ-1776	26.00	46.60			
GUJ-1780	20.00	38.10			
GUJ-1781	25.00	44.00			
GUJ-1783	25.00		63.80		
GUJ-1784	25.00	43.64			
GUJ-1786	25.40	43.64			
GUJ-1786R	25.40	43.64			
GUJ-1788	26.99	46.04			
GUJ-1794	26.00	48.20			
GUJ-1795	25.00	42.90			
GUJ-1797	23.00	49.00			
GUJ-2009	( 1 ) 25.40 ( 2 ) 25.58	( 1 ) 、 ( 2 ) 59.53			
GUJ-2016	26.00	55.96			
GUJ-2023	28.00	59.10			
GUJ-2027	26.99	60.32	81.76		
GUJ-2028	28.00	55.96			
GUJ-2029	( 1 ) 27.38 ( 2 ) 28.58	( 1 ) 54.00 ( 2 ) 60.32	81.76		
GUJ-2030	25.40	59.53			
GUJ-2030R	25.40	59.53			
GUJ-2032	( 1 ) 25.40 ( 2 ) 26.99	( 1 ) 59.53	( 2 ) 81.76		
GUJ-2033	29.00	53.10			
GUJ-2034	( 1 ) 25.40 ( 2 ) 28.58	( 1 ) 59.53	( 2 ) 81.76		
GUJ-2038	27.38	54.00			
GUJ-2039	( 1 ) 26.99 ( 2 ) 28.58	( 1 ) 60.32	( 1 ) ( 2 ) 81.76		
GUJ-2040	25.00	56.00			
GUJ-2041	32.00	64.00			
GUJ-2041R	32.00	64.00			
GUJ-2045	25.00		76.50		
GUJ-2049	26.50	50.40			
GUJ-2051	28.55	65.40			

**FOR EUROPEAN VEHICLES  
IDENTIFICATION**

NO.	D m/m	O m/m	L m/m	R m/m	P m/m
GUJ-2100	29.00	52.00			
GUJ-2109	29.00	49.00			
GUJ-2109R	29.00	52.00			
GUJ-2500	28.58	59.53		36.52	87.32
GUJ-2500R	28.58	59.53		36.52	87.32
GUJ-2502	( 1 ) 26.99 ( 2 ) 28.58	( 2 ) 59.53	( 1 ) 81.76		
GUJ-2505	28.60	65.10			
GUJ-3000	( 1 ) 26.99 ( 2 ) 28.58	( 1 ) 70.00	( 2 ) 92.08		
GUJ-3001	( 1 ) 、 ( 2 ) 30.16	( 1 ) 65.10	( 2 ) 92.08		
GUJ-3002	26.99	70.00	92.08		
GUJ-3003	32.00	59.95			
GUJ-3004	34.00	56.00			
GUJ-3006	30.00	57.60			
GUJ-3007	32.00	68.00			
GUJ-4000	28.58	82.55			
GUJ-4002	28.58	82.55		36.52	87.32
GUJ-4005	25.58	82.55		36.52	87.32
GUJ-4007	31.35	76.20			
GUJ-4008	30.16	76.20	106.35		
GUJ-4009	37.00	71.00			

**AGRICULTURAL UNIVERSAL JOINT KITS CONVERSION AND  
SIZE LISTING EUROPEAN IMPLEMENTS**

NO.	FIG	D m/m	O m/m	L m/m	D <sub>2</sub> m/m	L <sub>2</sub> m/m	NTE WEIGHT	G.WEIGHT
GRA-1	A4	18.00		47.00			140g	190g
GRA-2	A4	19.04		51.95			200g	250g
GRA-3	A4	22.00		54.00			270g	320g
GRA-4	A4	22.00		54.80			280g	330g
GRA-5	A4	23.82		61.30			350g	400g
GRA-6	A4	24.98		72.10			500g	550g
GRA-7	A4	27.00		70.00			600g	650g
GRA-8	A4	27.00		74.30			650g	700g
GRA-9	A4	29.00		80.00			680g	730g
GRA-10	A4	30.00		81.70			700g	750g
GRA-11	A4	30.20		80.00			690g	740g
GRA-12	A4	30.18		92.05			710g	760g
GRA-13	A4	30.18		106.30			740g	800g
GRA-14	A4	32.00		75.90			790g	850g
GRA-15	B4	34.00	51.30				820g	880g
GRA-16	A4	34.00		106.58			850g	915g
GRA-17	A4	34.92		106.30			1000g	1160g
GRA-18	A4	39.68		115.95			1080g	1200g
GRA-19	A4	34.92		106.50			1000g	1160g
GRA-20	A4	36.00		88.90			1100g	1280g
GRA-21	C4	41.00		118.00			1750g	2000g
GRA-22	C4	23.82		91.00	27.00	74.60	425g	480g
GRA-23	C4	27.00		94.00	32.00	76.00	700g	770g
GRA-24	C4	22.00		77.00	23.82	61.20	350g	400g

**AGRICULTURAL UNIVERSAL JOINT KITS CONVERSION AND SIZE LISTING U.S. IMPLEMENTS**

NO.	DIMENSION D <sub>x</sub> L <sub>1</sub> (inch)	U.S. SPICER NO.	ROCKWELL NO.	GMB NO.
GR-6N	24.610 x 33.500		CPL6N-8	GGPL-6R
GR-7N	22.220 x 150.830		CPL7N	GGPL-7R
GR-10N	22.220 x 61.930		CPL10N	GGPL-10R
GR-12N	27.020 x 42.000		CPL12N	GGPL-12R
GR-14N	28.600 x 66.650		CPL14N	GGPL-14R
GR-35N	31.800 x 81.596		CP35N2	GGPL-35R
GR-44N	33.280 x 67.500		CP44R	GGPL-44R
GR-55N	38.910 x 109.400		CP55R	GGPL-55R

**FOR U.S. AND EUROPEAN VEHICLES CONVERSION LISTING FORD**

FORD.NO	NO.
( DANN-4N167-A )	GR-2050
A9LY-4635	GR-121X
A9LY-4635-A	GR-121X
B-4635-A	GR-2050
B2TZ-4635-A	GR-3000
B3TZ-4635-A	GR-6000X
B3TZ-4635-B	GR-6000X
B4TZ-4635-F	GR-134X
B5TZ-4365-A	GR-178X
B6TZ-4635	GR-2050
B6TZ-4635-A	GR-1000
B6TZ-4635-B	GR-2050
B7TZ-4635-A	GR-1000
C1AZ-4635-C	GR-1200
C1TZ-4635-A	GR-263X
C1TZ-4635-B	GR-134X
C3AA-4635-A	GR-1200
C3AZ-4635-A	GR-1200
C3AZ-4635-B	GR-1200
C3AZ-4635-E	GR-1200
C3AZ-4635-G	GR-1203X
C3AZ-4635-L	GR-1203X
C3SZ-4635-A	GR-1200
C3UZ-4635-B	GR-5950
C4SZ-4635-A	GR-130X
C4TA-4635-A	GR-1000
C4TZ-4635-A	GR-1000
C5TZ-4635-B	GR-1206X
C5TZ-4635-C	GR-1000
C5TZ-4365-D	GR-1000
C5TZ-4365-E	GR-2200
C5TZ-4365-F	GR-134X
C5UZ-4365-A	GR-5950
C5UZ-4365-B	GR-5950

FORD.NO.	NO.
C6TZ-4365	GR-4000
C6TZ-4365-F	GR-5000
C6TZ-4365-G	GR-4000
C8SZ-4365-A	534G
C9TZ-4365-A	534G
C9TZ-4365-B	GR-1000
C9TZ-4365-A	GR-1000
D3TZ-4365-A	GR-4000
D3TZ-4365-B	GR-5000
D9HZ-4365-A	GR-3838
D90Z-4365-A	GRD-85
E3TZ-4365-B	GR-700
E7TZ-4365-B	GR-85
B9TT-4724-A	GR-134X
C1AA-4724-A	GR-1200
C4TA-4724-A	GR-1000
C1AA-4997-A	GR-1000
V3VY-4997-A	GR-213X
AOT-7309-A	GR-2200
A80-7039-A	GR-3000
B20-7039-A	GR-3000
B5T-7039-A	GR-2200
B6D-7039-A	GR-121X
4487436	GR-1000
4050350	GR-1000
B6S-7039-A	GR-1000
B6T-7039-A	GR-2050
B7A-7039-A	GR-1000
B7S-7039-A	GR-1000
MFK-7039	GR-1000
MFK-7039-A	GR-1200
IT-7039	GR-2200
IY-7039	GR-1000
7EO-7039	GR-3000

**FORD**

FORD.NO	NO.
8MTH-7039	GR-1000
21C-7039	GR-1000
GP-18397	GR-1000
GPW-18379	GR-1000
01Y-18397	GR-2200
02Y-18397-B	521HD
21C-18397-B	GR-1000
211C11-18397	GR-1000
LD-44610-A	GR-1000
A-281868	GR-3000
XD-500818	GR-3000
XY-5011497	521HD
XL-512825	521HD
6342814	GR-500
6371722	GR-400
7068345	GR-400

FORD.NO.	NO.
7088368	GR-3500
7084449	GR-500
7088370	GR-3500
7090700	GR-2050
7156132	GR-400
7156340	GR-400
7178684	GR-3500
7178934	GR-2050
7190326	GR-1100
7206809	GR-4000
8845370	GR-1000
8845379	GR-500
8845636	GR-400
91021384	GR-3500
C5TZ-4365-G	GR-1206X
MFK-7039-B	GR-1000

**DAEIMLER BENZ**

Benz.NO.	NO.
111 410 00 31	GR-7280/3
112 350 00 28	GR-7190
120 350 04 28	GR-7800
120 4100 31	GR-7800
180 357 00 13	GR-7290
180 410 01 31	GR-7900
180 410 03 31	GR-7280
302 410 00 31	GR-7300
304 410 00 31	GR-7530
310 410 00 31	GR-7460
312 411 02 31	GR-7300
312 411 13 31	GR-7300
000 410 00 31	GR-7530
000 410 18 31	GR-7460
030 410 04 31	GR-7430
030 410 05 31	GR-7460
030 410 18 31	GR-7430
030 410 19 31	GR-7460
030 410 20 31	GR-7440
030 410 22 31	GR-7490
100 410 10 31	GR-7280
111 350 00 28	GR-7290

Benz.NO.	NO.
337 411 00 31	GR-7470
345 410 01 31	GR-7470
360 410 02 31	GR-7650
363 410 00 31	GR-7610
363 410 06 31	GR-7610
385 410 01 31	GR-7470
385 410 02 31	GR-7300
385 410 05 31	GR-7650
387 410 00 31	GR-7630
387 410 01 31	GR-7620
335 410 00 31	GR-7560
335 410 06 31	GR-7610
317 410 00 31	GR-7300
656 410 01 31	68 x 89 x 166
317 410 01 31	GR-7471
319 410 02 31	GR-7280/1
322 411 00 31	GR-7300
355 410 00 31	GR-7560
377 401 00 31	GR-7470
377 410 00 31	GR-7470
377 410 01 31	GR-7470
377 410 50 31	GR-7470'

## MAN

MAN.NO	NO
10230F	GR-7460
400LIA	GR-7440
MKN	GR-7460
412HOC	GR-7470
520LI	GR-7440
535HO	GR-7460
626	GR-8100
760VO	GR-7460
890UG	GR-7370
φ 55 × 164	GR-8120
φ 52 × 133	GR-7590
φ 75 × 144	GR-8130

## SCANIA SAAB

SCANIA SAAB.NO.	NO
47804	GR-3000
77187	GR-3500
78060	GR-4000
169144	GR-3850
178258	GR-3840
207563	GR-3860
264043/64043	GR-3870
264044	GR-3880
366437/390225	φ 57 × 164

## FIAT

FIAT.NO.	NO
82853	GR-5000
882320	GR-5000
883236	GR-500
4548769	GR-500
4552009	GR-1100
4582853	GR-5000
4606993	GR-400
4655161	GR-400
4679190	GR-2050
876044	GR-5000
882321	GR-5000
967265	GR-1100
4551551	GR-400
4556515	GR-500

MAN.NO	NO
1070	GR-8100
1570D	GR-7460
2170D	GR-7460
13212	GR-8100
1521D	GR-8100
21212D	GR-8100
420HOCI	GR-7400
4SIA	GR-7470
AS325AH	GR-7420
φ 52 × 147.2	
φ 48 × 116.5	

SCANIA SAAB.NO.	NO
550162	GR-3840
550613	GR-3810
550614	GR-3850
750612	GR-3840
750613	GR-3810
750614	GR-3850
750602	GR-3800
750610	GR-3500
365901/337059	φ 48 × 161

FIAT.NO.	NO
453225	GR-400
4625636	GR-1100
4655182	GR-2050
4675624	GR-2050
786045	GR-5000
883235	GR-500
4024300	GR-400
4552008	GR-1100
4556519	GR-1100
4605734	GR-500
4620151	GR-5000
4675621	GR-2050
4826030	GR-400
682N3 ( R )	φ 60 × 170

## IVECO

IVECO.NO.	NO
5017200	φ 65 × 172
385 410 00 31	φ 48 × 126 ( GR-7650 )
232540	φ 57 × 144 ( GR-8130 )
	φ 48 × 116.5

## VOLVO

VOLVO.NO.	NO
36590	GR-3500
46240	GR-4000
231009	GR-5000
231189	GR-1000
656762	GR-500
672037-9	GR-500
1217606	GR-400
6857171	GR-4000
38403	GR-1100
83453	GR-3000
231136	GR-1000
231311	GR-1000
231459/1651032	GR-3810
16512295	φ 57 × 152.6

## BMW

BMW.NO.	NO
11 54 3 040 002	GR-7410
26 11 1 105 398	GR-1670
33 21 1 205 310	GR-7410

## GMC

GMC NO.	NO
2186972	GR-2200
2222853	GR-5000
2222854	GR-4000
2223567	GR-3000
2263882	GR-2050
2284835	GR-3000
2298621	GR-2050
2322134	GR-3000
2322138	GR-5000

## LAND ROVER

LAND ROVER	NO
43023	GR-1100
541858	GR-1030

## RENAULT

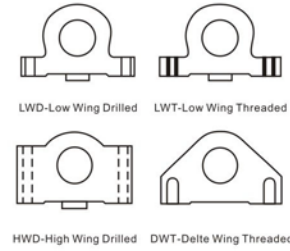
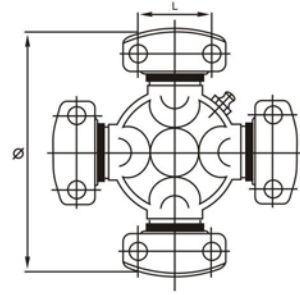
RENAULT.NO.	NO
816506	φ 47.6 × 135
295200	φ 59 × 167.4

VOLVO.NO.	NO
659773	GR-400
853255-8	GR-1306X
6212893	GR-2300
6876177	GR-3500
38646	GR-2050
87977	GR-500
231179	GR-1000
383472	GR-1100
672037	GR-400
897707	GR-1306X
6852612	GR-3500
6638078	GR-7460
232540	GR-7130
232458	GR-3800

BMW.NO.	NO
33 21 3 614 170	GR-7410
33 21 3 614 180	GR-9030

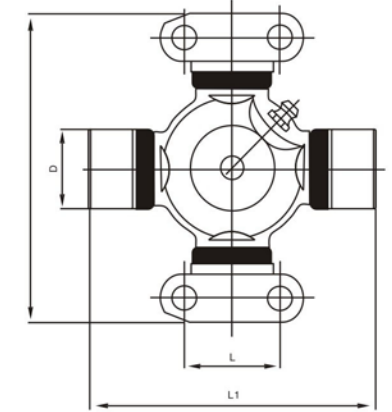
GMC NO.	NO
2325029	GR-1000
2330781	GR-2200
609515	GR-2200
608194	GR-3000
2200211	GR-2100
2185901	GR-2000
2322136	GR-4000
2325829	GR-1000

LAND ROVER	NO
242521	GR-1170



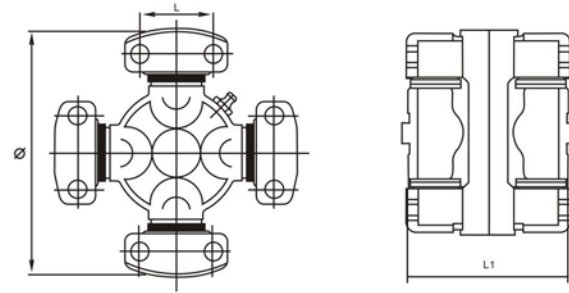
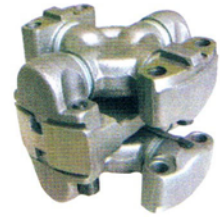
**FIG:A**  
**WING STYLE UNIVERSAL JOINTS**

SNO	OUR NO	φ (mm)	L (mm)	CATERPILLAR	PRECISION	SPICER	ALLOY	GKN	SIZE	BEARINGS
26	A26	134.87	49.20	9C0398	896	5-5802X	1877		58WB2	2LWT+2HWD
27	A27	148.38	49.20	6H2577	927	5-7105X	1840	HS 575	7C	4HWD
28	A28	148.38	49.20	8F7719	570	5-7000X	1841	HS 570	7C	4LWT
29	A29	148.38	49.20	7J5242	574	5-7202X	1843	HS 573	7C	2LWT,2LWD
30	A30	148.38	49.20		575				7C	4LWD
31	A31	148.38	49.20		572		1842		7C	2LWT,2LWD
32	A32	148.38	49.20		576				7C	2LWD,2HWD
33	A33	206.32	49.20	6H2579	928	5-8105X	1850	HS 585	8C	4HWD
34	A34	206.32	49.20	XX7146	581	5-8200X	1851	HS 580	8C	4LWT
35	A35	206.32	49.20		582	5-8201X	1852		8C	2LWT,2LWD
36	A36	206.32	49.20		583	5-8202X	1853		8C	2LWT,2HWD
37	A37	206.32	49.20		584	5-8203X	1854		8C	4LWD
38	A38	206.32	49.20						8.5C	2LWD,2HWD
39	A39	165.10	71.44	2V7153	963	5-8516X		HS 685	8.5C	4HWD
40	A40	165.10	71.44	7K0442	785	5-8500X		HS 680	8.5C	4DWT
41	A41	165.10	71.44	1V3639	962	5-8504X			8.5C	4LWT
42	A42	165.10	71.44			5-8575X			8.5C	4LWD
43	A43	165.10	71.44						8.5C	2LWT,2LWD
44	A44	165.10	71.44					HS 595	8.5C	2LWT,2LWD
45	A45	209.52	71.44	9V7710	911	5-9016X	1868		9C	4HWD
46	A46	209.52	71.44		903	5-9000X			9C	4LWT
47	A47	209.52	71.44		904		1866		9C	4LWD
48	A48	209.52	71.44		912	5-9002X	1867		9C	2LWT,2HWD
49	A49	209.52	71.44		919				9C	2LWD,2HWD
50	A50	212.70	92.10	8P8132				HS 605	10C	4HWD
51	A51	212.70	92.10	8V1540	988				10C	4HWD
52	A52	222.17	88.90		490				11C	4HWD



**FIG:B**  
**2-ROUNDS & 2-WING BEARINGS U-JOINTS**

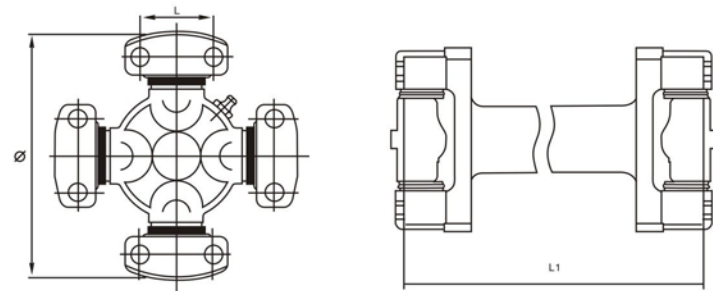
SNO	OUR NO	D (mm)	φ (mm)	L (mm)	O (mm)	L1 (mm)	CATERPILLAR	PRECISION	SPICER	ALLOY	SIZE	BEARINGS
1	B1	25.40	79.00	33.32	54.40		6D2529	522	5-2033X		2C	2IWD,2RND
2	B2	25.40	79.00	33.32	54.40		2D3765	526	5-2031X	1064	2C	2LWT,2RND
3	B3	26.50	79.00	33.32	54.40						2C	2HWD,2RND
4	B4	27.00	90.40	33.32		81.70					3C	2LWT,2RND
5	B5	28.60	107.92	33.32	60.50				5-3116X		4C	2IWD,2RND
6	B6	28.60	107.92	33.32	77.90			545	5-4016X	1710	4C	2IWD,2RND
7	B7	28.60	107.92	33.32	77.90			544	5-4014X	1705	4C	2LWT,2RND
8	B8	30.18	107.92	33.32		106.29			5-345X		4C	2HWD,2RND
9	B9	34.93	115.06	42.88		106.29			5-347X		5C	2HWD,2RND
10	B10	34.93	115.06	42.88		106.29			5-348X		5C	2HWD,2RND
11	B11	33.35	115.06	42.88	81.80		417-20-12620				5C	2HWD,2RND
12	B12	33.35	140.46	42.88	104.46		419-20-12621	565	5-6139X		6C	2HWD,2RND
13	B13	34.93	140.46	42.88		126.00	5Y0154	470	5-221X		6C	2HWT,2RND
14	B14	33.35	140.46	42.88	79.30				5-5103X		6C	2IWD,2RND
15	B15	34.93	140.46	42.88		126.00			5-220X		6C	2LWT,2RND
16	B16	41.30	148.38	49.20	104.40		419-20-12620	483	5-7300X		7C	2HWD,2RND
17	B17	41.24	148.38	49.20		142.00			5-330X		7C	2HWD,2RND
18	B18	41.24	148.38	49.20		142.00			5-331X		7C	2HWT,2RND
19	B19	41.30	208.00	50.00	154.80		150-11-12360					2HWD,2RND
20	B20	34.93	134.87	49.20		126.00						2HWD,2RND
21	B21	34.93	134.87	49.20		126.00						2LWT,2RND



**FIG:C**

**CLOSE-COUPLED DOUBLE U-JOINT ASSEMBLIES**

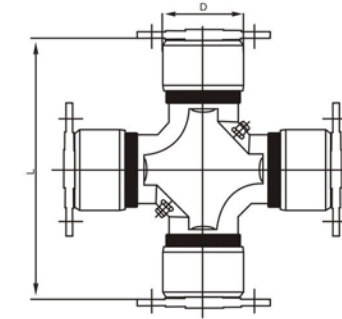
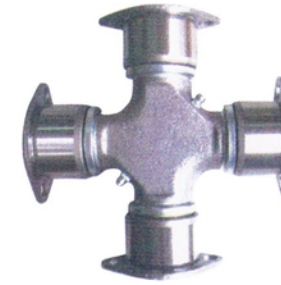
SNO	OUR NO	$\phi$ (mm)	L (mm)	L1 (mm)	CATERPILLAR	KOMATSU	SINGLE U-JONIT	BULLDOZER	SIZE
1	C1	165.10	71.44	158.80		175-20-11000	175-20-00060	D155A-1	8.5C
2	C2	208.00	50.00	135.00		154-20-10002	154-20-00020	S85A-18	
3	C3	148.38	49.20	119.96		144-10-12100	144-10-12610	D60A-8	7C
4	C4	140.46	42.88	119.96		144-15-17001	1S9670	D65	6C
5	C5	140.46	42.88	127.00	5M7882		1S9670	D6D	6C
6	C6	107.92	36.52	80.00		CPCJ	6K0316	5M800	4C
7	C7	115.06	42.85	105.00		CA 15	2K3631		5C



**FIG:D**

**TORQUE TUBE COUPLED U-JOINT KITS**

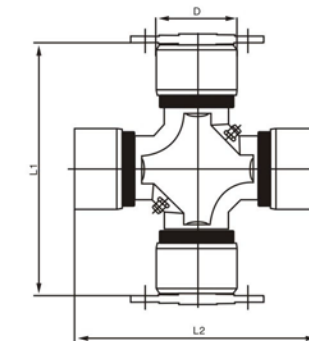
SNO	OUR NO	$\phi$ (mm)	L (mm)	L1 (mm)	CATERPILLAR	KOMATSU	SINGLE U-JONIT	BULLDOZER	SIZE
1	D1	140.46	42.88	270.86	2P9889		1S9670	D7G	6C
2	D2	140.46	42.88	184.12	5M5073		1S9670		6C
3	D3	148.38	49.20	470.00		144-10-12100	144-10-12610	D60PL-8	7C



**FIG:E**

**U-JOINTS WITH 4 WELDER PLATE TYPE ROUND BEARINGS**

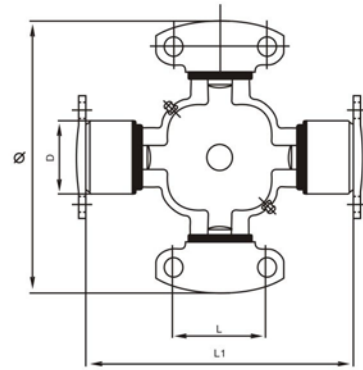
SNO	OUR NO	SPICER	D	L	WX	PRECISION	GKN	ALLOY	ROCKWELL
1	E1	5-279X	47.62	135.00	5200AGF	333	HS 336	1807	CP16NS
2	E2	5-280X	49.20	154.90	5278AGF	334	HS 337	1802	CP17NS
3	E3	5-407X	49.20	178.00	6269AGF	376	HS 338	1808	CP176NS
4	E4	5-281X	49.20	191.90	7225AGF	381	HS 334	1810	CP18NS
5	E5	5-308X	55.50	206.00	5-308X	388	HS 348	1880	
6	E6	5-124X	58.99	167.60	5-124X	335			



**FIG:F**

**U-JOINTS WITH 2 WELDER PLATE TYPE AND 2 PLAIN ROUND BEARINGS**

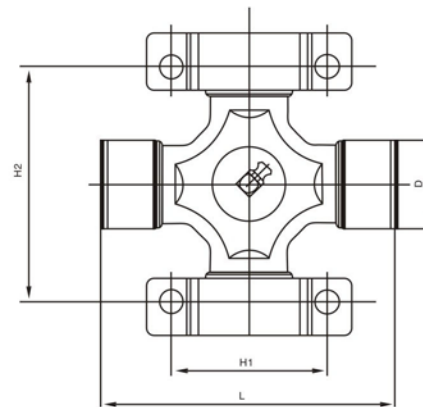
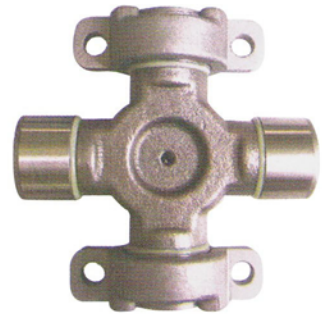
SNO	OUR NO	D	L1	L2	SPICER	PRECISION	NEAPCO	ROCKWELL
1	F1	47.62	135.00	135.00	5-438X	475	4-2791	CP16S1
2	F2	49.20	154.00	157.00	5-515X	476	5-2801	CP17S1
3	F3	49.20	178.00	180.00	5-469X	477	6-4071	CP176S1
4	F4	49.20	191.90	194.00	5-510X	478	6-2811	CP18S1
5	F5	47.62	135.00	135.00	5-674X	475	4-2791	CP16S1
6	F6	49.20	154.90	154.00	5-675X	476	5-2801	CP17S1
7	F7	49.20	178.00	178.00	5-677X	477	6-4071	CP176S1
8	F8	49.20	191.00	191.90	5-676X	478	6-2811	CP18S1



**FIG:G**

**U-JOINTS WITH 2 WELDER PLATE TYPE AND 2 HIGH WING BEARINGS**

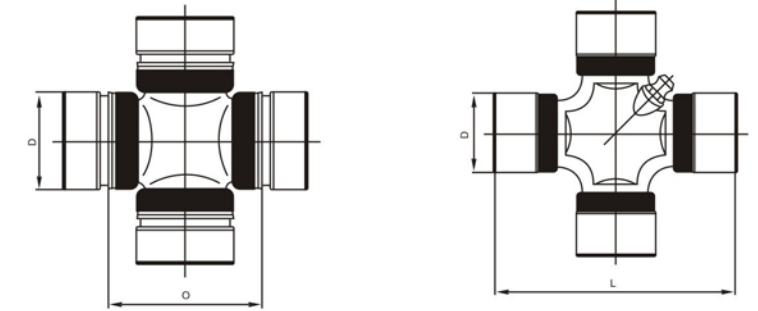
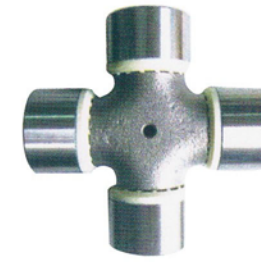
SNO	OUR NO	D/L	L1/φ	SPICER	PRECISION	ROCKWELL	GKN	BEARINGS
1	G1	49.20/71.44	191.9/209.52	5-324X	480	CP18N96	HS 794	2HWD,2RND
2	G2	55.55/71.44	205.9/209.52	5-326X		3307	HS 798	2HWD,2RND
3	G3	49.20/71.44	154.9/165.00	5-387X		2201025		2HWD,2RWD



**FIG:H**

**U-JOINTS WITH 2 WELDER PLATE TYPE AND 2 HIGH WING BEARINGS**

SNO	OUR NO	GKN NO	D	L	H1	H2	VOLVO	ORIGINAL NO
1	H1	HS 239S	38.05	148	75	123	294380	
2	H2	HS 239T	38.05	148	75	123	337058	
3	H3	HS 268S	48.05	161	85	131.50	294383	365913
4	H4	HS 268T	48.05	161	85	131.50	337059	365901
5	H5	HS 292S	57.05	164	95	126	294385	366441
6	H6	HS 292T	57.05	164	95	126	337060	366437



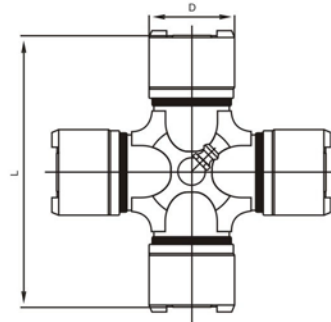
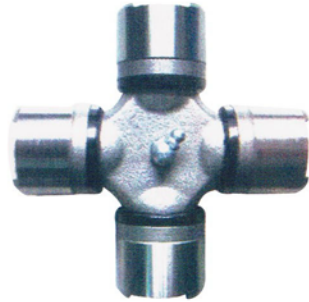
**FIG:J**

**U-JOINTS WITH 4 PLAIN ROUND BEARINGS AND 4 GROOVED ROND BEARINGS**

SNO	OUR.NO	PART NO	D	O	L	SPICER	PRECISION	GMB	GKN
1	J1	5-12062X	48.05		161	5-12062X			HS 268
2	J2	5-12072X	57		164	5-12072X			
3	J3	5-12100X	45		120.4	5-12100X		GU 7530	HS 260
4	J4	5-12213X	35	57.2		5-12213X		GU 7300	
5	J5	5-12219X	48.05		125.8	5-12219X		GU 7620	HS 272
6	J6	5-12276X	44.1		149	5-12276X			
7	J7	5-12278X	50		164	5-12278X			
8	J8	5-12924X	52		133	5-12924X		GU 7560	HS 232
9	J9	5-12932X	57		152	5-12932X		GU 7630	HS 189
10	J10	5-165X	41.24		42	5-165X	359	G5-165X	HS 252
11	J11	GU 3500	39.675		115.42		370	GU 3500	HS 176
12	J12	GU 4000	47.65		135			GU 4000	HS 316
13	J13	GU 5000	49.2		154.9			GU 5000	GHS 337
14	J14	U 447	42.12		104.5			GU 4470	
15	J15	U 730	38	57.2		5-1506X	463	GU 7300	HS 480
16	J16	U 744	38.03		105.6			GU 7440	HS 236
17	J17	U 753	45		120.4			GU 7530	HS 260
18	J18	U 756	52		133			GU 7560	HS 282
19	J19	U 761	53		135			GU 7610	HS 284
20	J20	U 762	48.05		125.8			GU 7620	HS 272
21	J21	U 763	57		152			GU 7630	HS 289
22	J22	U 765	48		126			GU 7650	
23	J23	U 813	57		144			GU 8130	HS 283
24	J24	SPL-90X	41.28		126	SPL-90X			
25	J25	SPL-170X	55		165	SPL-170X			
26	J26	SPL-250X	60		163.2	SPL-250X			

**JAPAN AUTO UNIVERSAL JOINTS**

(日本重型卡车万向节)



**NISSAN ( 尼桑 )**

PART NO	D	O	L	ORIGINAL	GMB	KOYO	MATSUBA
GUN 41	43		135.5	37125-90128	GUN 41	ND 43142	UJ 125
GUN 42	40.01		123.8	37125-99900	GUN 42	ND 40124	UJ 118
GUN 43	55.1		163.8	37125-90027	GUN 43	ND 43128B	UJ 126

**MISUBISHI ( 三菱 )**

PART NO	D	O	L	ORIGINAL	GMB	KOYO	MATSUBA
GUM71	44		129	14501-2700	GUM 71	M 44135	UJ 610
GUM80	46		142	12018-01110	GUM 80	M 46142	UJ 612
GUM83	52		153.8	12019-10000	GUM 83		UJ 626
GUM90	46		148	14801-06001	GUM 90		UJ 629
GUM96	52		170	MC 998476	GUM 96		

**ISUZU ( 五十铃 )**

PART NO	D	O	L	ORIGINAL	GMB	KOYO	MATSUBA
GUIS 60	49.22		148.38	9-37300-139-0	GUIS 60	070004AR-1	UJ 339
GUIS 65	46		136.00	1-37300-004-0			
GUIS 67	56		174.00	1-37300-049-0	GUIS 67		
GUIS 68	50		155.00	1-37300-082-0			

**HINO ( 日野 )**

PART NO	D	O	L	ORIGINAL	GMB	KOYO	MATSUBA
GUH 72	47		144	37401-1080	GUH 72		
GUH 73	50		165	37401-1021	GUH 73		
GUH 75	58		175	04037-4033	GUH 75		

**MEMORANDUM / 备忘录**

---

---

---

---

---

---

---

---

---

---

---

---

---

---

---

---

---

---

---

---

---

---

---

---

---